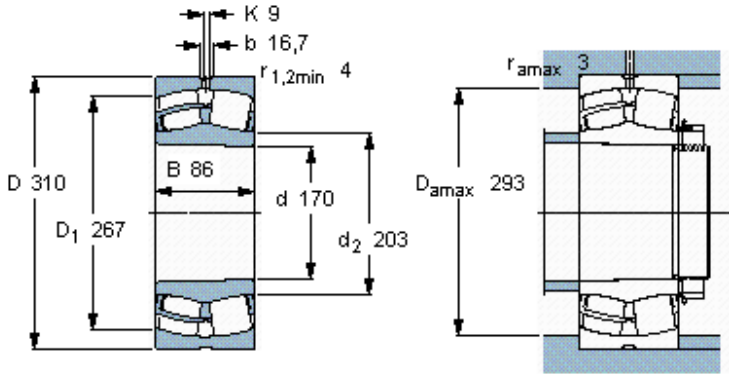


Spherical roller bearings, cylindrical and tapered bore

Principal dimensions			Basic load ratings		Speed ratings		Designation
d	D	B	dynamic C	static C0	Reference speed	Limiting speed	
mm			kN		r/min		* SKF Explorer bearing
170	310	86	1183	1460	1900	2600	22234 CCK/W33 *



Tapered bore, taper
1: 12

Calculation factors

- e 0,27
- Y₁ 2,5
- Y₂ 3,7
- Y₀ 2,5